

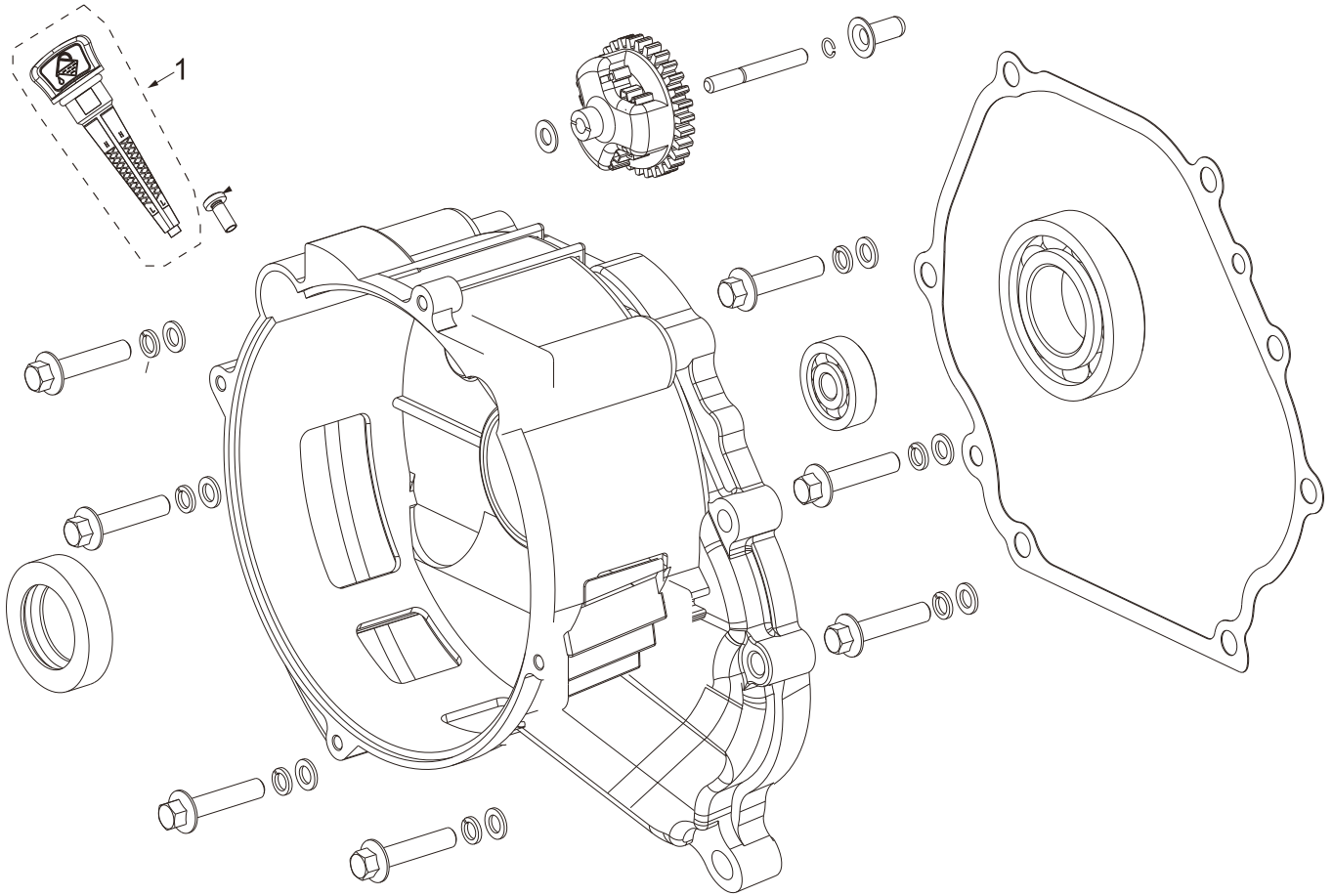


PARTS BREAKDOWN GENERATOR

MODEL: PA-GH9000

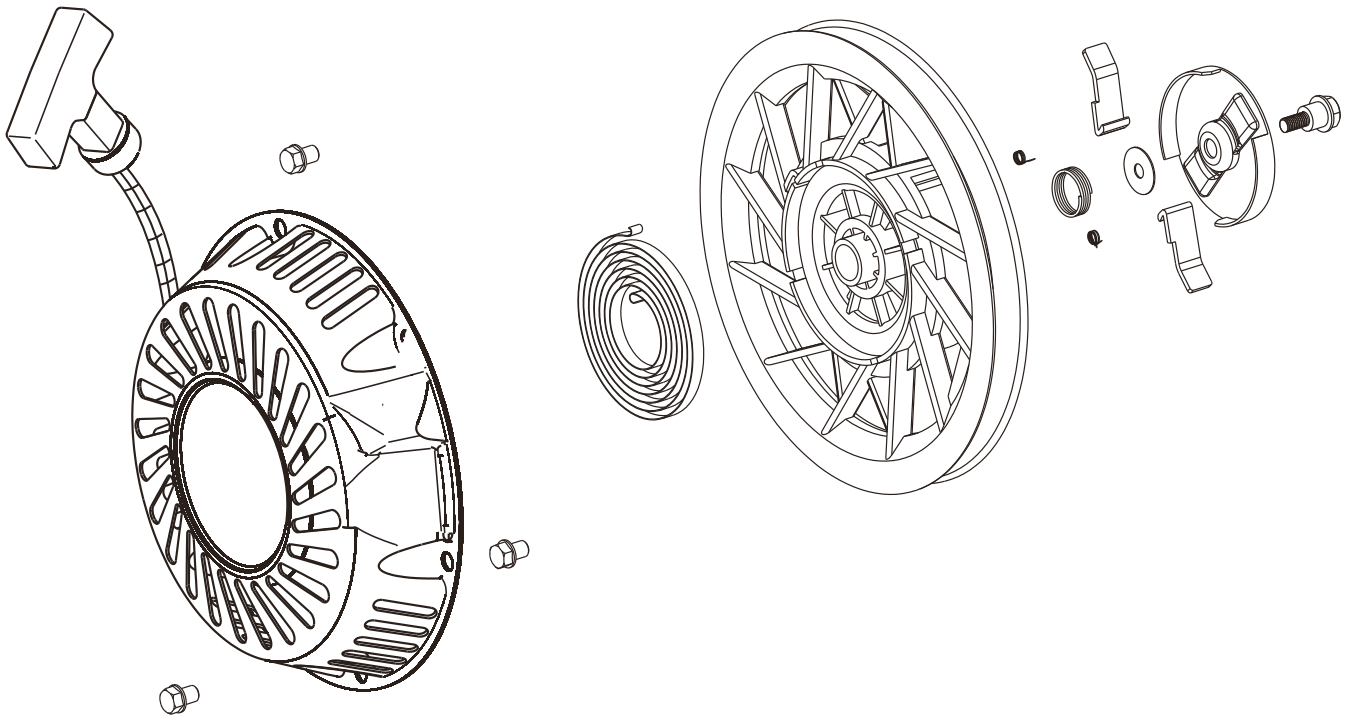


CRANKCASE



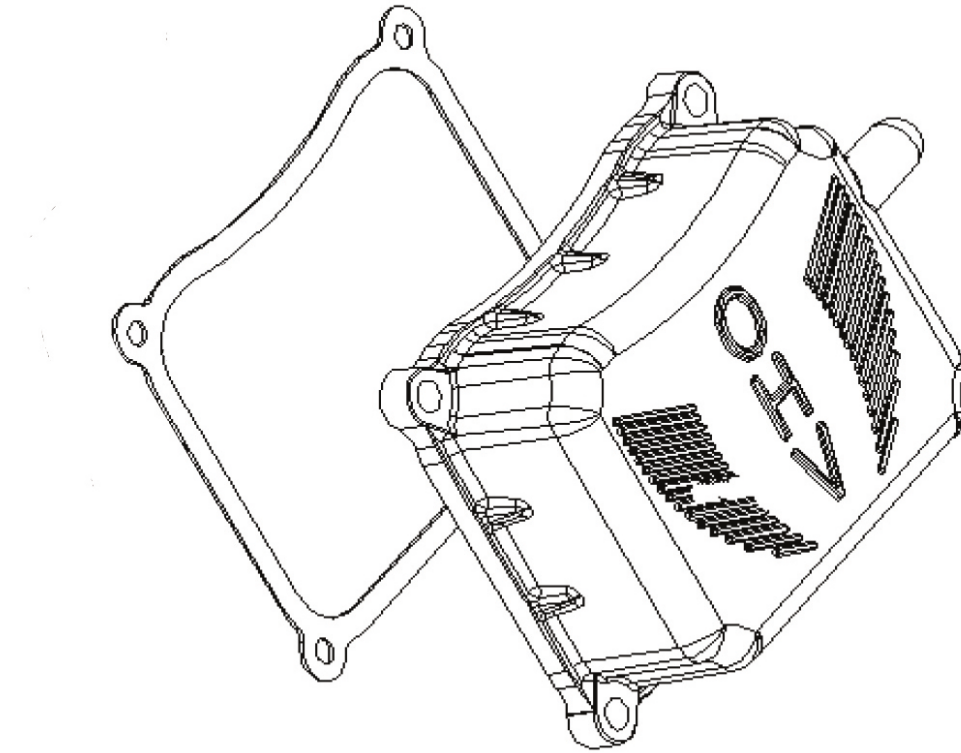
| REF # | DESCRIPTION | QTY | PART # |
|-------|-------------------|-----|--------------|
| 1 | MAGNETIC DIPSTICK | 1 | PA-P85561021 |

ENGINE STARTER



| REF # | DESCRIPTION | QTY | PART # |
|-------|-----------------|-----|--------------|
| 1 | RECOIL ASSEMBLY | 1 | PA-P85561022 |

VALVE COVER



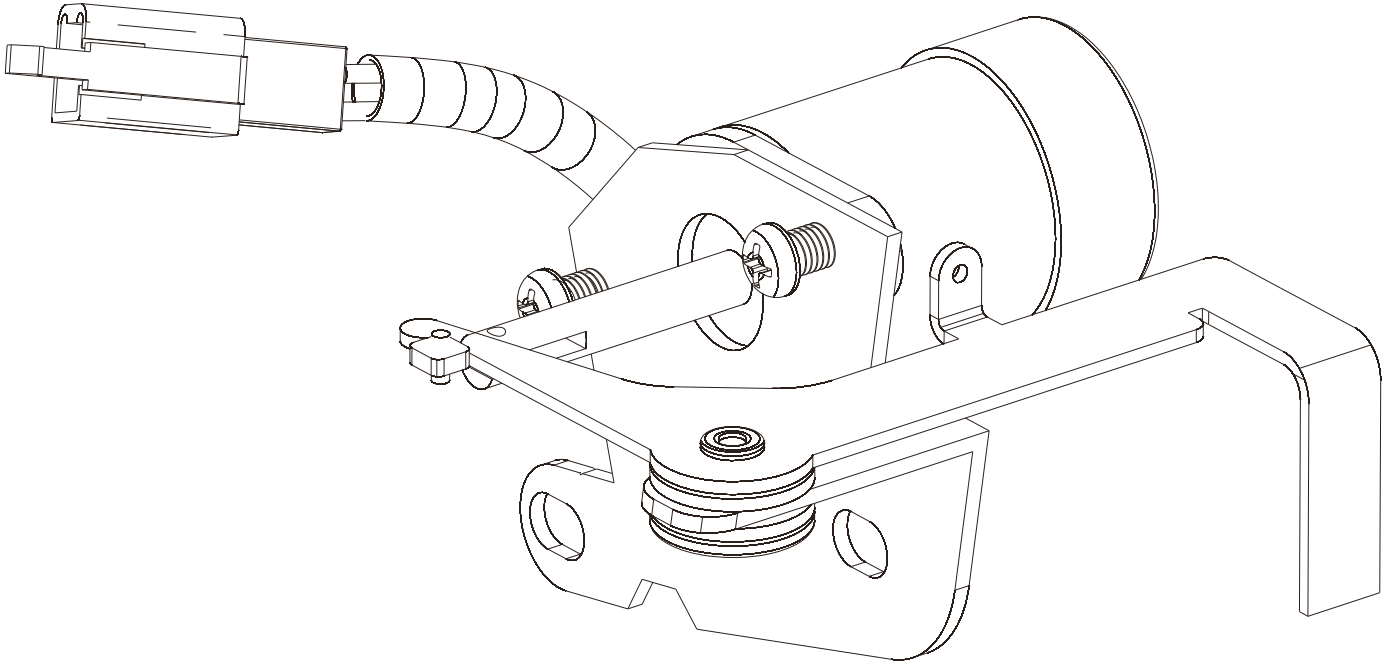
| REF # | DESCRIPTION | QTY | PART # |
|-------|------------------------------|-----|--------------|
| 1 | CYLINDER HEAD COVER & GASKET | 1 | PA-P85561094 |



PARTS BREAKDOWN GENERATOR

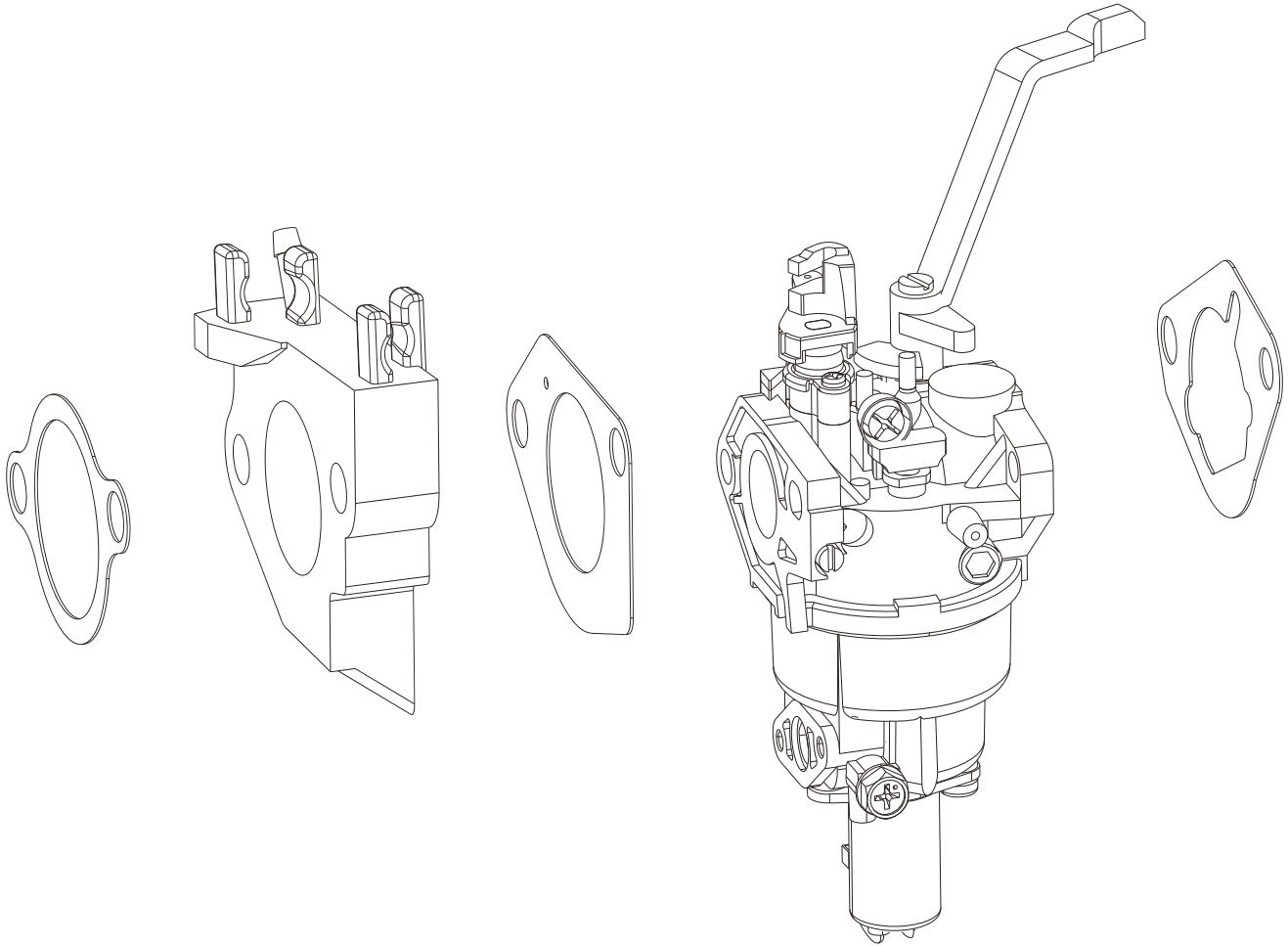
MODEL: PA-GH9000

SPEED ADJUSTMENT BASE PARTS



| REF # | DESCRIPTION | QTY | PART # |
|-------|---------------|-----|--------------|
| 1 | IDLE SOLENOID | 1 | PA-P85561028 |

CARBURETOR ASSEMBLY



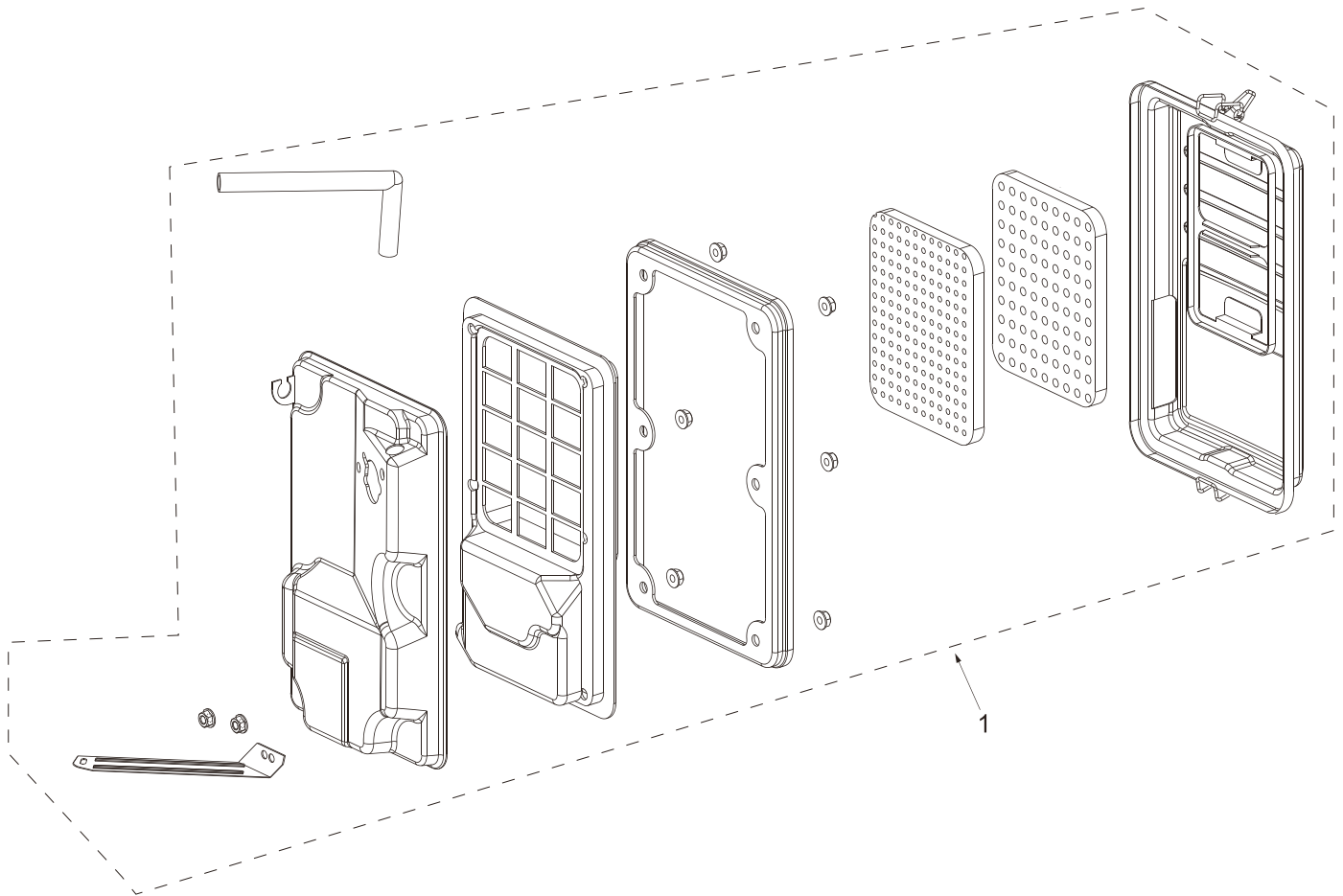
| REF # | DESCRIPTION | QTY | PART # |
|-------|---------------------|-----|--------------|
| 1 | CARBURETOR ASSEMBLY | 1 | PA-P85561023 |



PARTS BREAKDOWN GENERATOR

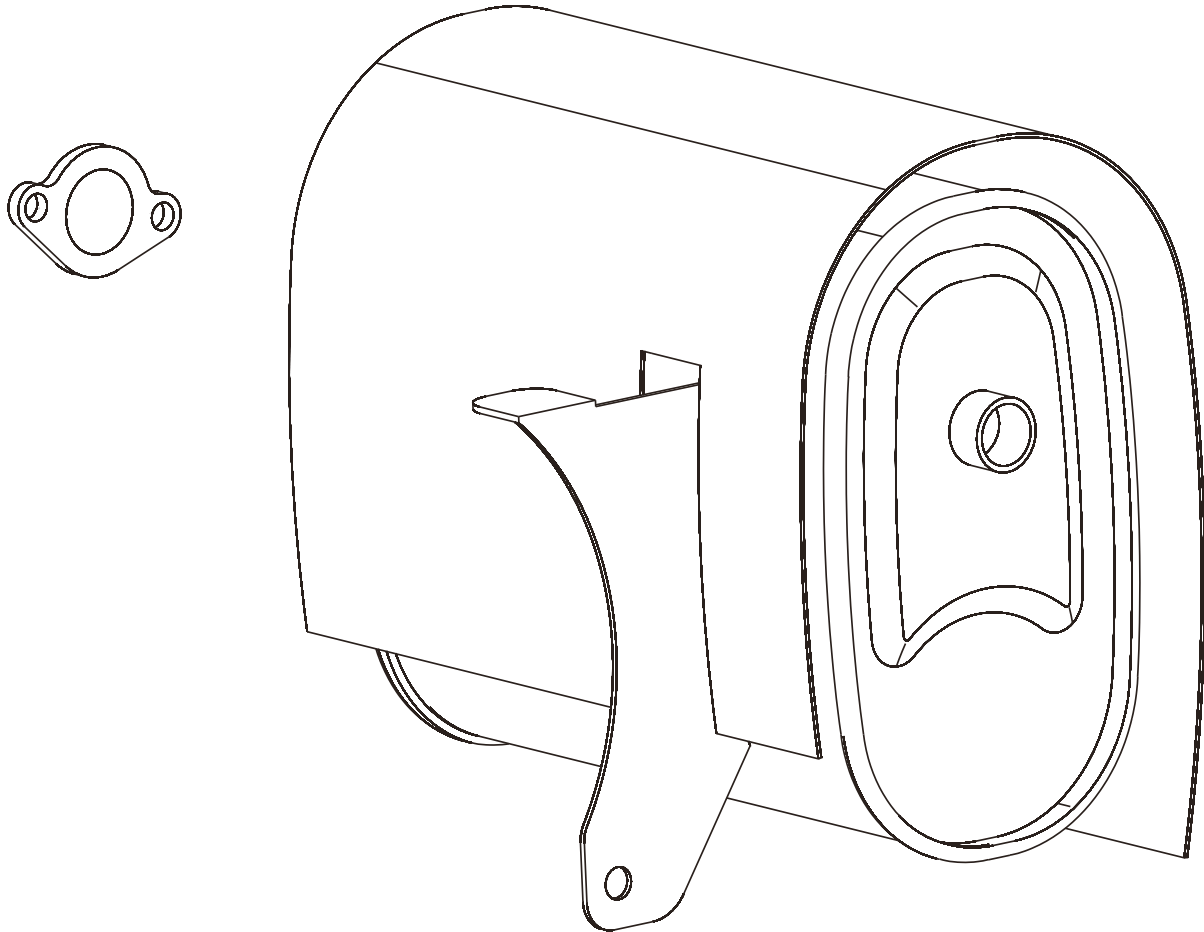
MODEL: PA-GH9000

AIR CLEANER ASSEMBLY



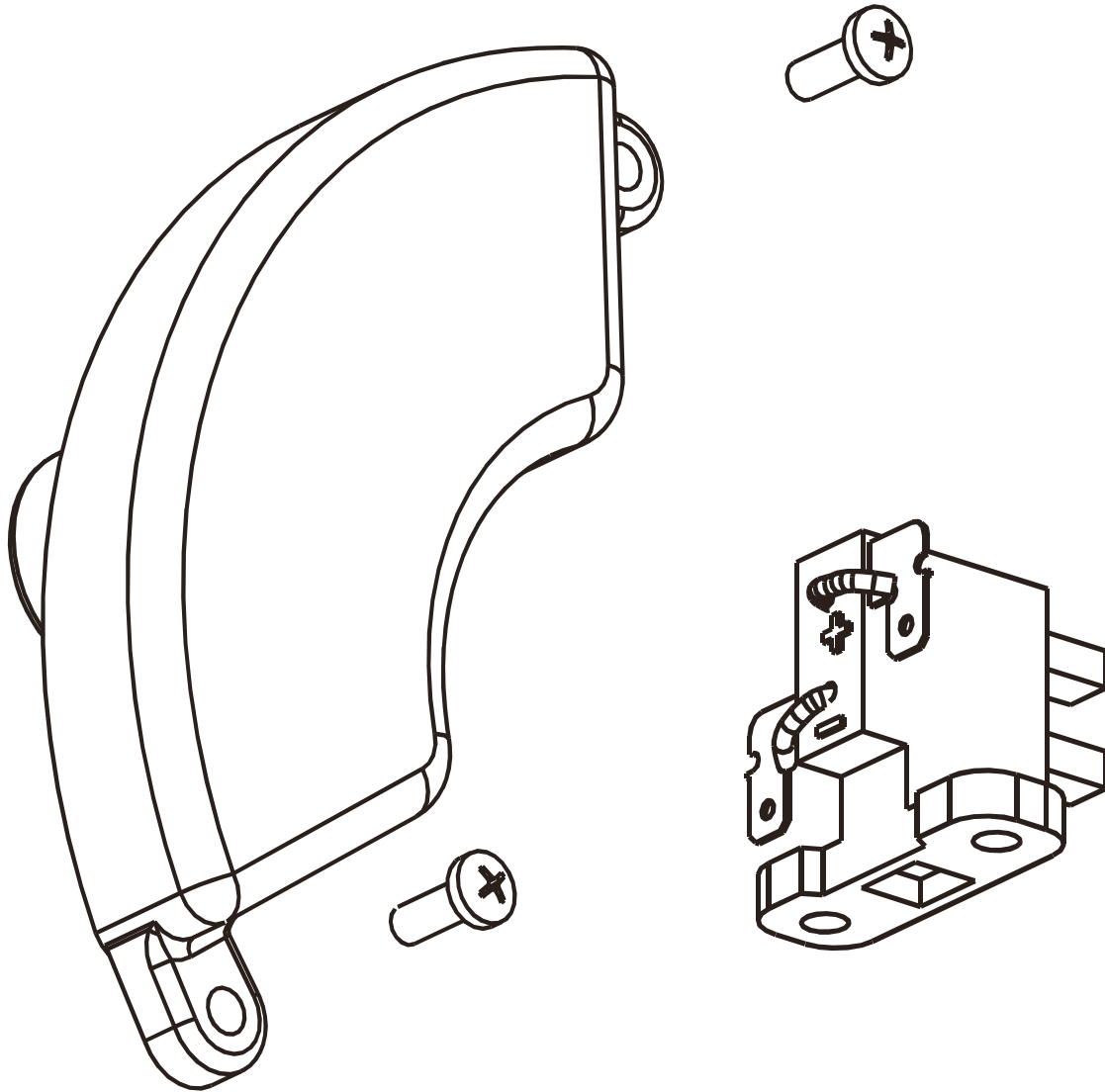
| REF # | DESCRIPTION | QTY | PART # |
|-------|----------------------|-----|--------------|
| 1 | AIR CLEANER ASSEMBLY | 1 | PA-P85561024 |

MUFFLER PARTS



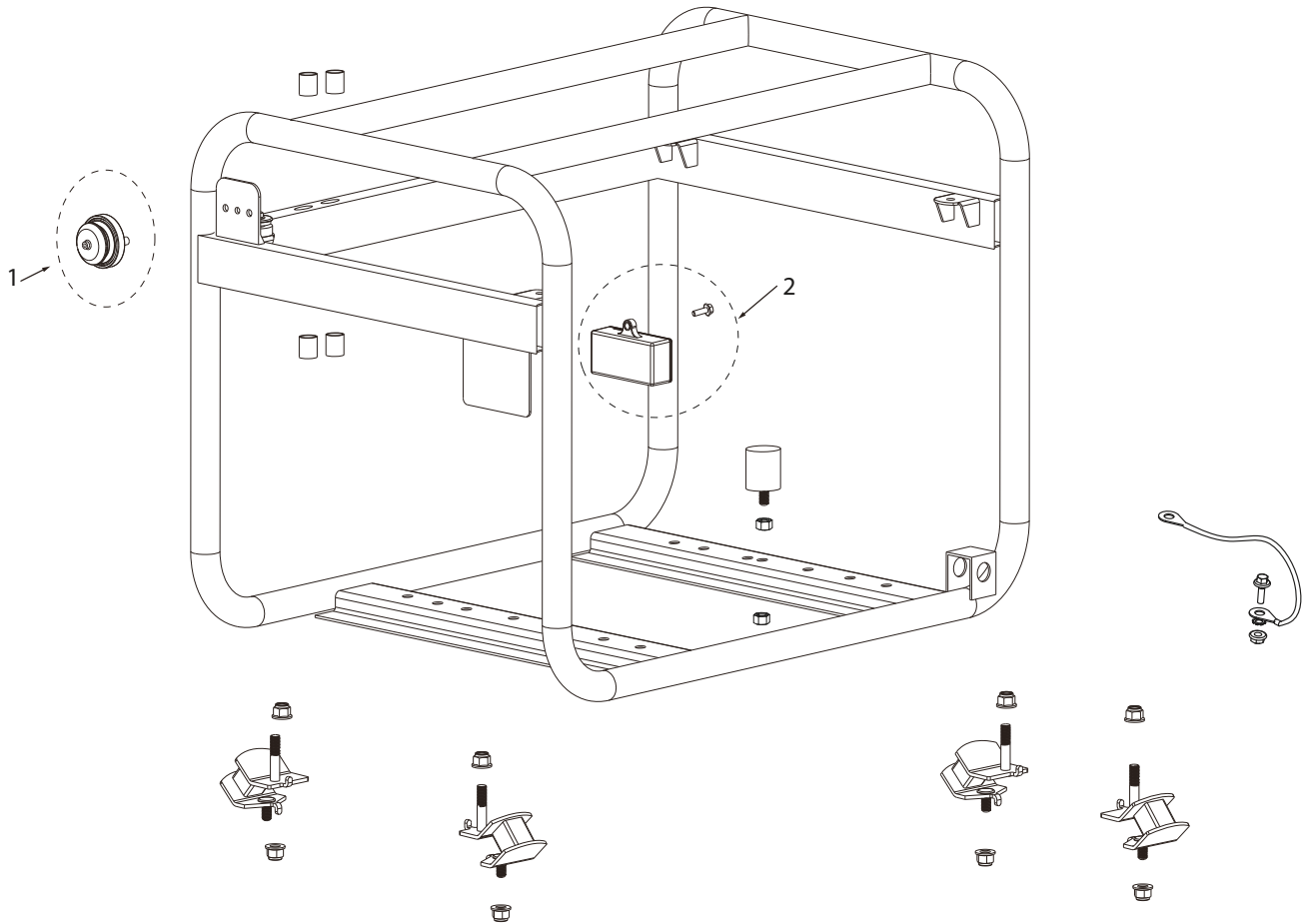
| REF # | DESCRIPTION | QTY | PART # |
|-------|------------------|-----|--------------|
| 1 | MUFFLER & GASKET | 1 | PA-P85561095 |

AVR AND BRUSHES



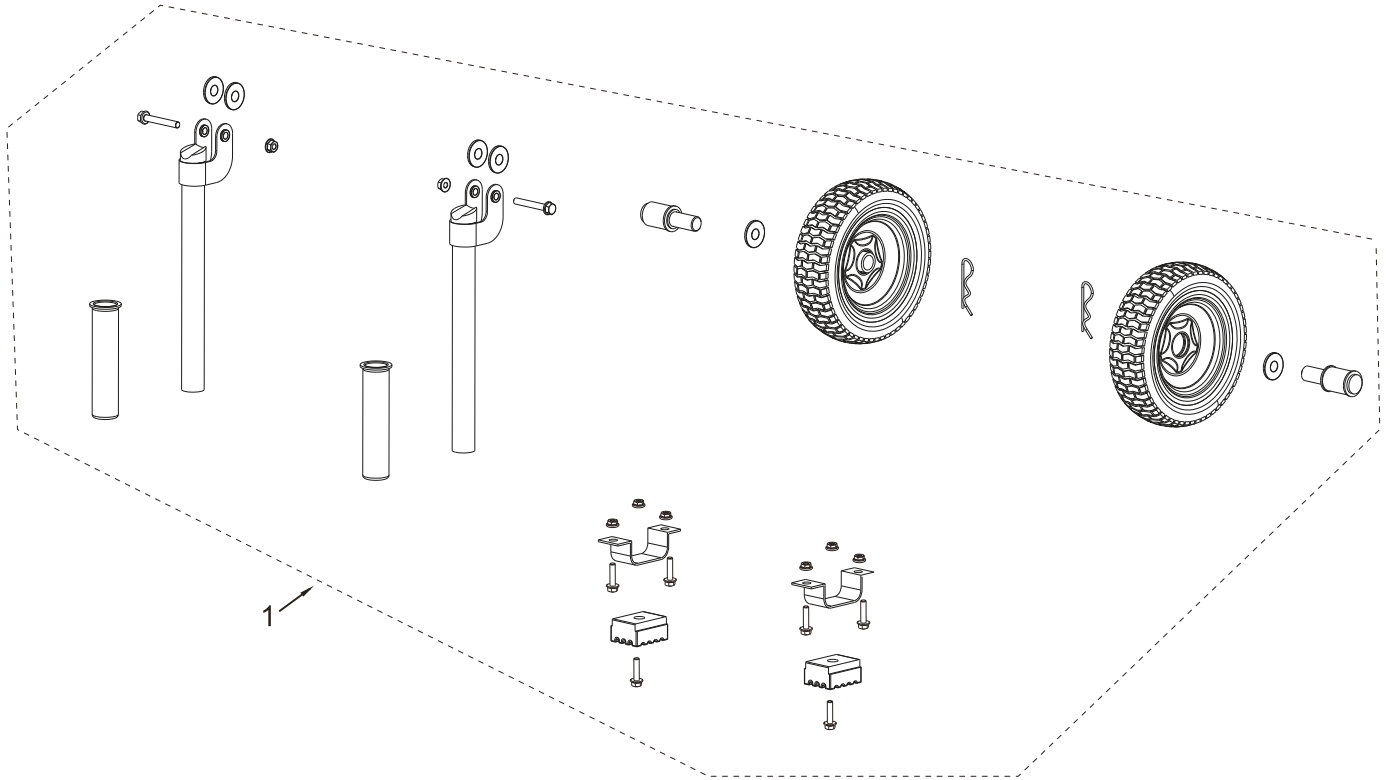
| REF # | DESCRIPTION | QTY | PART # |
|-------|-----------------|-----|--------------|
| 1 | AVR AND BRUSHES | 1 | PA-P85561025 |

FRAME PARTS



| REF # | DESCRIPTION | QTY | PART # |
|-------|---------------------|-----|--------------|
| 1 | COLD WEATHER PRIMER | 1 | PA-P85561005 |
| 2 | CO ALARM | 1 | PA-P85561006 |

WHEEL AND HANDLE SET



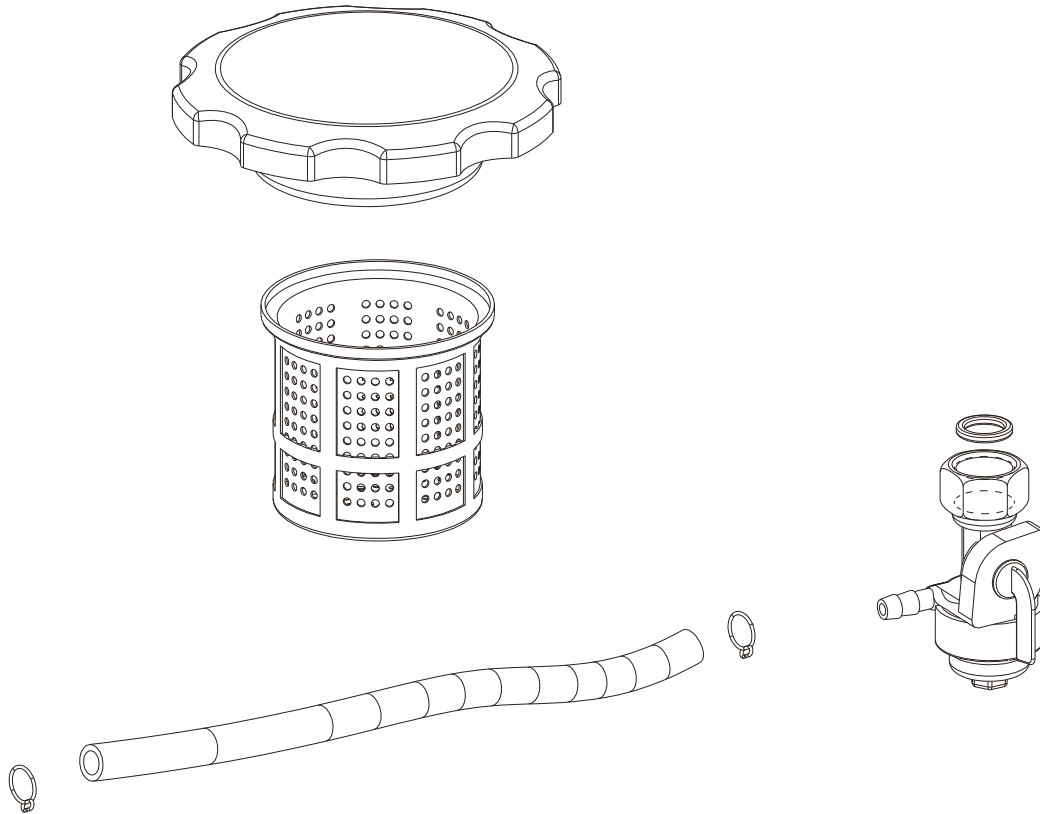
| REF # | DESCRIPTION | QTY | PART # |
|-------|----------------------|-----|--------------|
| 1 | WHEEL AND HANDLE SET | 2 | PA-P85561026 |



PARTS BREAKDOWN GENERATOR

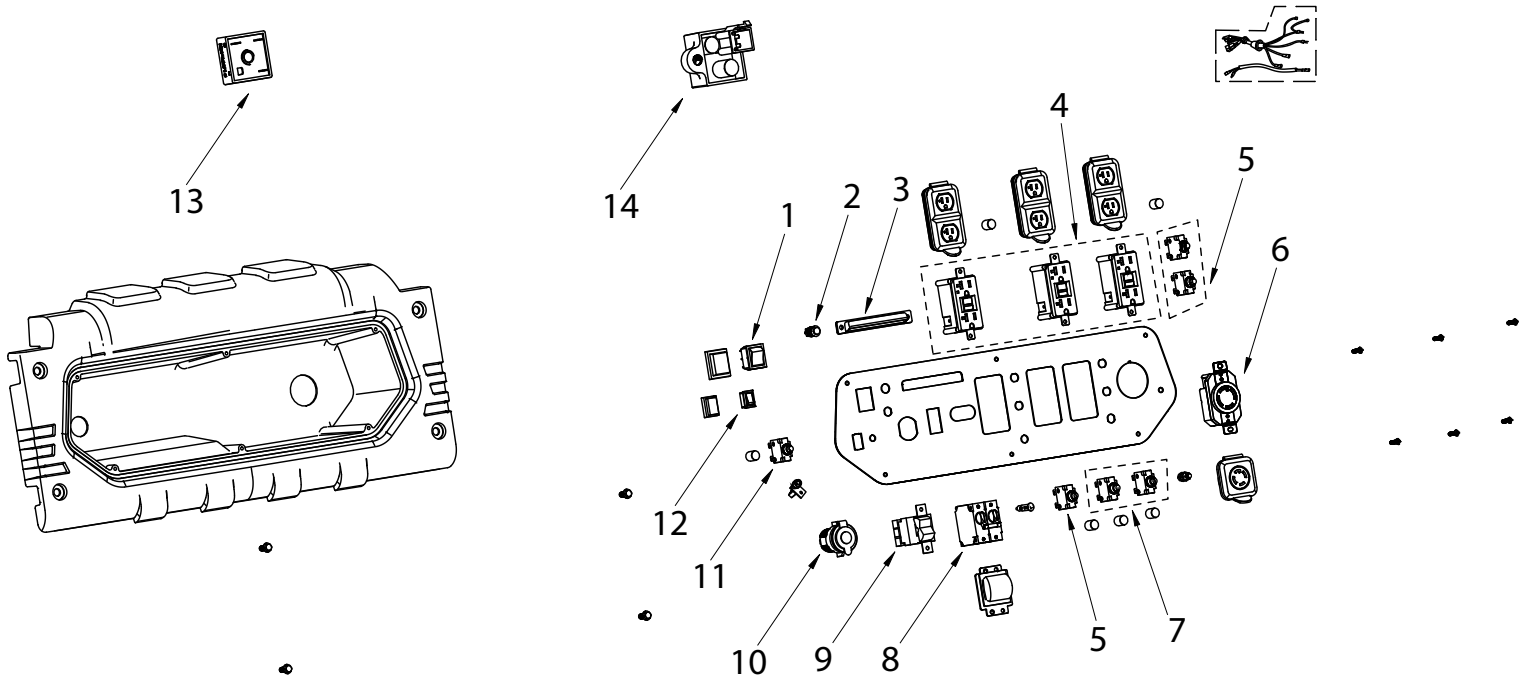
MODEL: PA-GH9000

FUEL TANK ASSEMBLY



| REF # | DESCRIPTION | QTY | PART # |
|-------|-----------------|-----|--------------|
| 1 | FUEL TANK PARTS | 1 | PA-P85561027 |

CONTROL PANEL



| REF # | DESCRIPTION | QTY | PART # |
|-------|--------------------------------|-----|--------------|
| 1 | ENGINE SWITCH | 1 | PA-P85561151 |
| 2 | LED SWITCH | 1 | PA-P85561136 |
| 3 | LED LIGHT | 1 | PA-P85561137 |
| 4 | AC RECEPTACLE(GFCI) AC125V/20A | 3 | PA-P85561146 |
| 5 | PROTECTOR 20A | 3 | PA-P85561141 |
| 6 | AC RECEPTACLE AC125V250V/30A | 1 | PA-P85561145 |
| 7 | PROTECTOR 30A | 2 | PA-P85561149 |
| 8 | CIRCUIT BREAKER 2P-27A | 1 | PA-P85561152 |
| 9 | VOLTAGE SWITCH | 1 | PA-P85561143 |
| 10 | DC12V | 1 | PA-P85561148 |
| 11 | DC THERMAL PROTECTION 8A | 1 | PA-P85561147 |
| 12 | IDLE SWITCH | 1 | PA-P85561153 |
| 13 | RECTIFIER BRIDGE | 1 | PA-P85561149 |
| 14 | DC08 | 1 | PA-P85561142 |

patron[®]

